

Special thanks S.M.O.G. Baden (Germany) for Providing this picture.



MODEL:GE-TM



MODEL:GE

Special thanks

KSK(Kommando Spezialkräfte) Prague , Czech Republic

S.M.O.G. Baden (Germany)



星虹玩具有限公司  
STAR RAINBOW TOYS CO.,LTD

Dealer



Address : Room D2. No. 36, Alley 82, Lane 422, Minzu Rd., Lujhou City ,  
Taipei County 247 ,Taiwan (R.O.C.)

TEL:886-2-82853848

FAX:886-2-28484622

E-mail:src@starrainbow.com.tw

Web:www.starrainbow.com.tw



**SR4** SERIES  
6mm Cal. AIRSOFT RIFLE

MADE IN TAIWAN

**INSTRUCTION MANUAL**

**SAFETY INFORMATION**

CAUTION

# SR4 SERIES

6mm Cal. AIRSOFT RIFLE



When using airsoft guns eye protection is required (goggles or mask)



Please keep away from children



Please select a safe place to fire your airsoft gun. Always know your state and local laws concerning airsoft gun use.



BBs may remain in the barrel after magazine removal. To avoid injury, never look directly into the barrel and ensure the gun is always pointed in a safe direction.



Do not aim or shoot at humans, animals, buildings, or vehicles.



Disassembly or modification of this product may result in damage to your Airsoft gun, loss of warranty, and/or serious injury.



Please use a firearm case or bag when transporting your airsoft gun.



Never place your finger on the trigger until you are ready to fire the gun. Always put the gun in safe mode when not in use. Treat every gun as if it is loaded.



**SR4 SERIES PARTS DESCRIPTION**

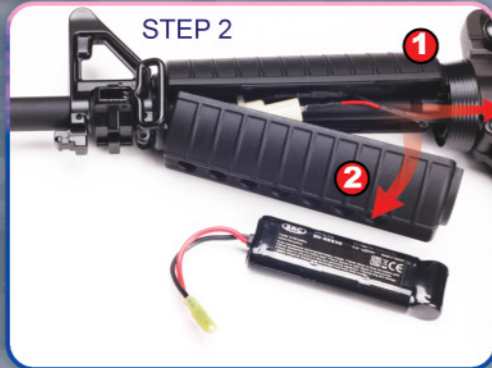


## 1 Installing the Battery (Handguard type)



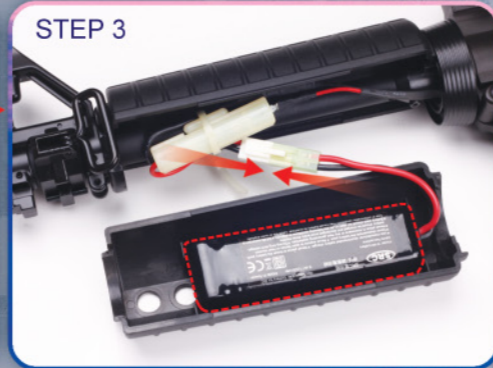
STEP 1

Please use a fully charged SRC 8.4v Battery.



STEP 2

1. Push the Delta Ring to the rear and hold.  
2. Remove cover to expose battery compartment.



STEP 3

1. Connect the battery leads.  
2. Insert the battery into the stock.



STEP 4

1. First, insert the front end of the handguard.  
2. Push the Delta Ring to the rear and hold.  
3. Replace the Handguard.



STEP 5

Press the Delta Ring firmly against the handguard tab, to lock the handguard in place

## Installing the Battery (Compact Fixed Stock type)



STEP 1

Please use a fully charged SRC Mini type Battery.



STEP 2

1. Carefully push the Cover downwards.  
2. Slide the Cover rearward and remove from the Stock.

### WARNING

1. Remove the battery from device when not in use.
2. Please use high-quality, CE approved batteries.



STEP 3

Connect the battery leads.



STEP 4

Insert the battery into the Stock.



STEP 5

Reinstall the Cover



## Installing the Battery (Fixed Stock type)

STEP 1



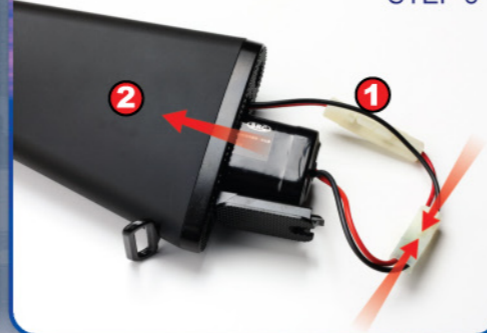
Please use a fully charged SRC Large type Battery

STEP 2



Open the stock cover.

STEP 3



1. Connect the battery leads 2. Insert the Battery into the Stock.

STEP 4



Close the cover



Install complete

## Installing the Battery (Combat Crane Stock type)

STEP 1



Please use a fully charged SRC 2 stick 8.4v or 9.6v Battery

STEP 2



Push the Release button.

STEP 3



Remove the cover.

STEP 4



1. Connect the battery leads  
2. Insert the Battery into the Stock.

STEP 5



Reinstall the cover.



## 2 Loading the Magazine

### WARNING

Use SRC Precision BBs only. The use of low-quality BBs may cause damage to your airsoft gun.

### STEP 1



Open the BB well cover and fill with BBs

### STEP 2



Rotate the wheel on the bottom of the magazine until you hear the clicking sound change.

### STEP 3



Insert the magazine until you hear it click into place. The gun is now ready to fire.

## 3 Shooting Modes

### Safe mode



### Semi mode



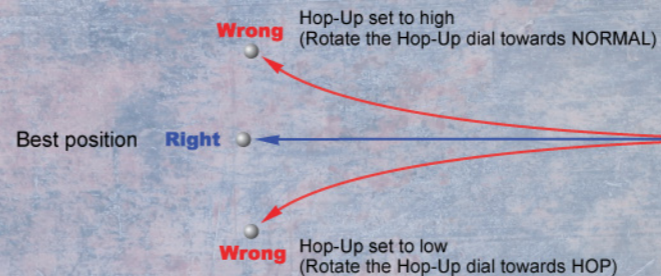
### Auto mode



## 4 Hop-up Adjustment

### WARNING

Always keep finger off the trigger until you are ready to fire. Make sure the muzzle is pointing in a safe direction. Keep the selector on safe mode until you are ready to shoot.



### STEP 1



Pull the Charging Handle to the rear, exposing the Hop-Up lever.

### STEP 2



To reduce the Hop-Up setting, rotate the hop-up dial towards NORMAL.

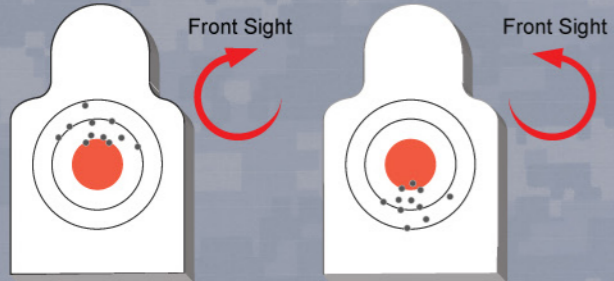
### STEP 3



To increase the Hop-Up setting, rotate the hop-up dial towards HOP.

5

## Front Sight Adjustment



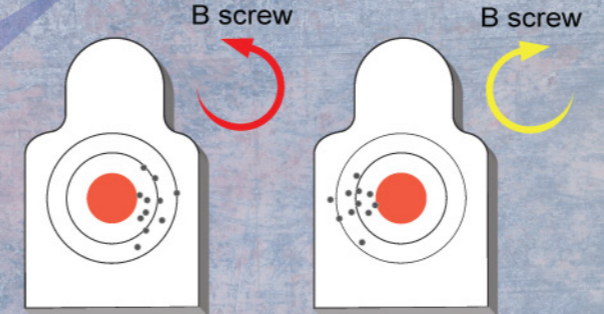
If BBs hit high on the target, turn the front sight to the right.  
 If BBs hit Low on the target, turn the front sight to the left.



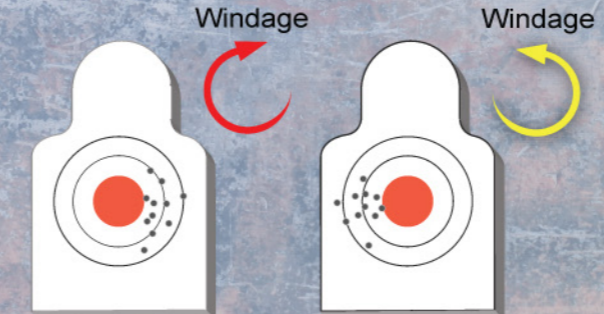
## 6 Rear Sight Adjustment



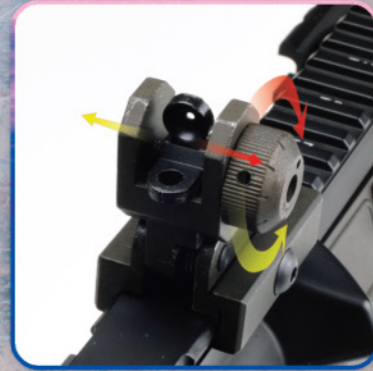
## Rear Sight Adjustment Tactical Rear Sight



If BBs hit to the right of the target, turn Screw B to the left.  
 If BBs hit to the left of the target, turn Screw B to the right.



If BBs hit to the right of the target, turn windage to the right.  
 If BBs hit to the left of the target, turn windage to the left.



## 7 Troubleshooting

Problem : AEG does not function

### WARNING

Use SRC Precision BBs only. The use of low-quality BBs may cause damage to your airsoft gun.



Please check the connectors



Please check the motor wiring connections.



Please check the fuse



When the gear noise becomes shrilly.

Please use a screwdriver to adjust.

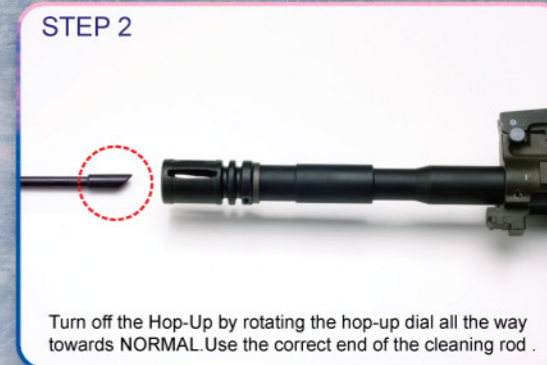
## Troubleshooting Problem: Clearing jammed BBs

STEP 1



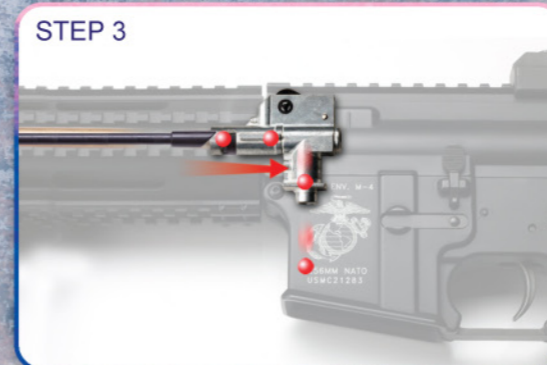
Remove the magazine.

STEP 2



Turn off the Hop-Up by rotating the hop-up dial all the way towards NORMAL. Use the correct end of the cleaning rod.

STEP 3



Insert the Cleaning rod into the Barrel to remove the jammed BBs..

STEP 4



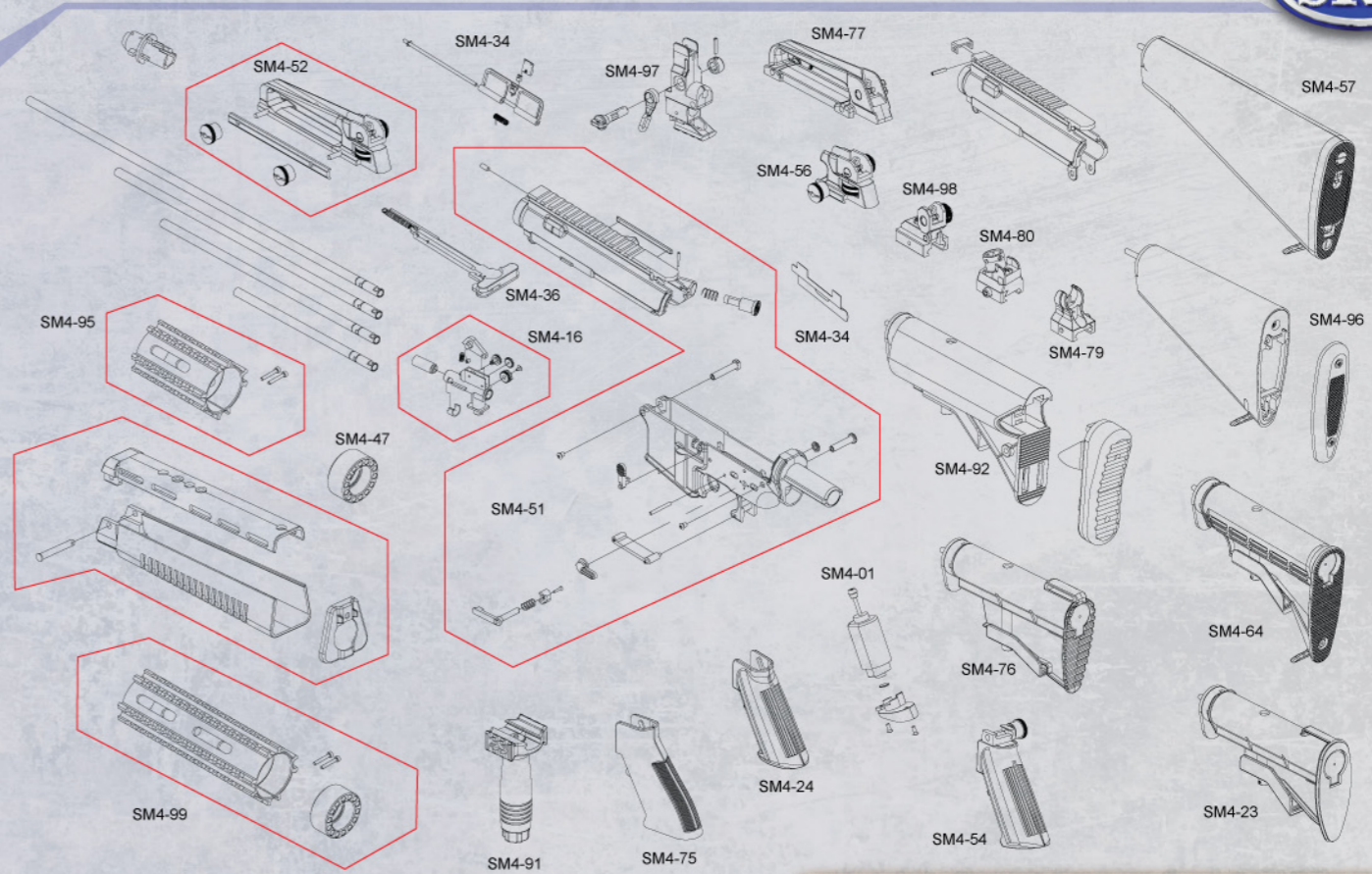
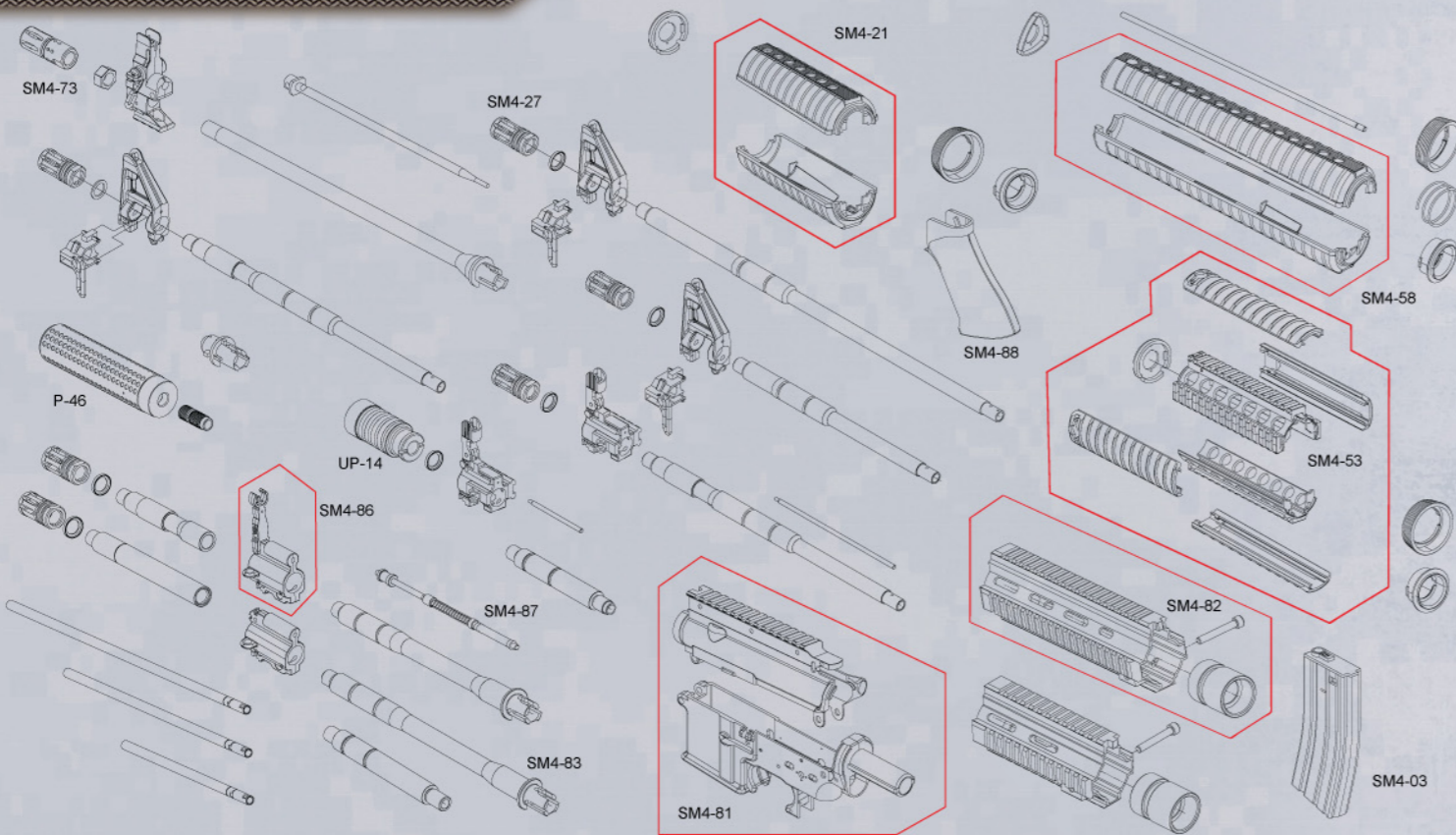
Use Airsoft Safe Silicone to lubricate the hop up chamber. Use silicone lubricant sparingly..

### WARNING

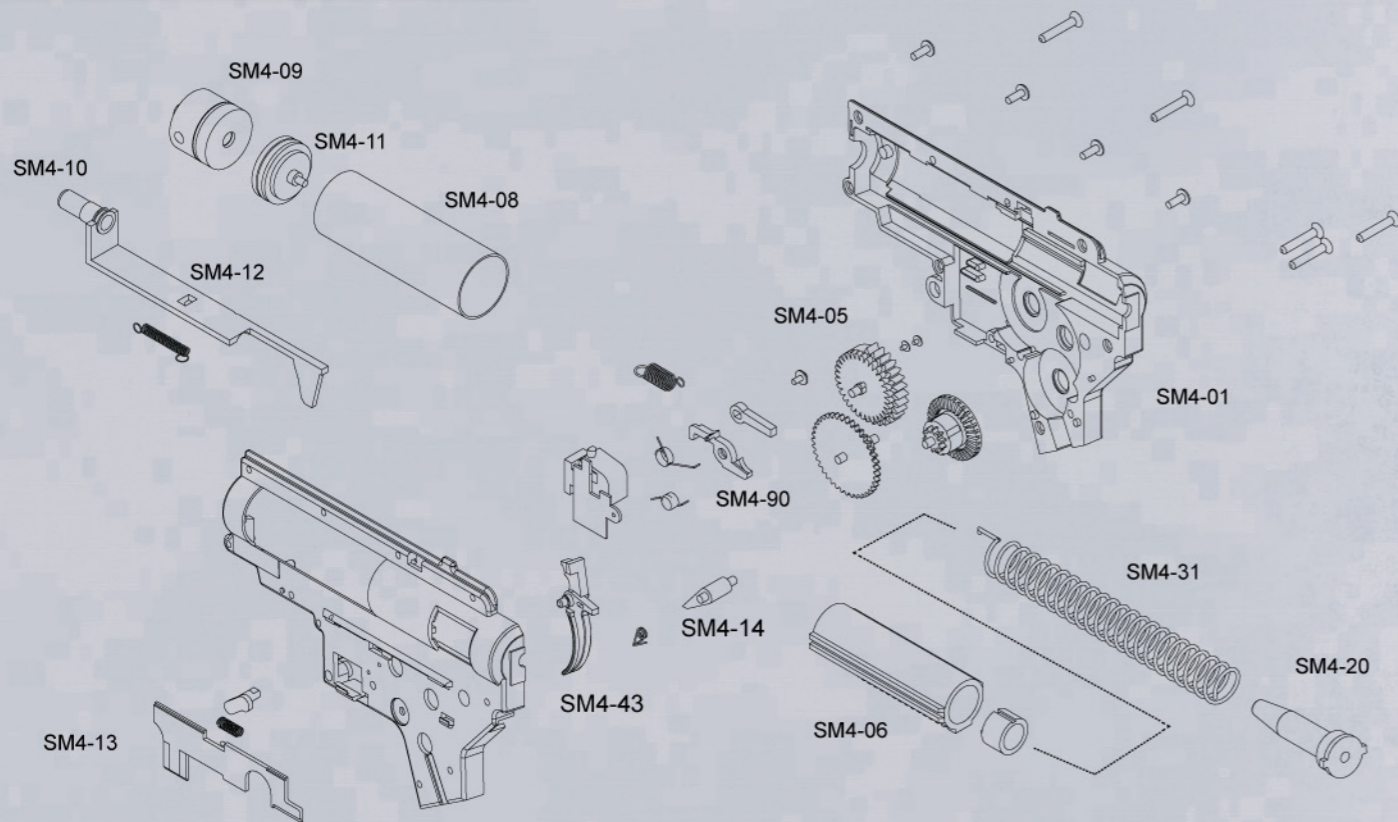
- Always keep finger off the trigger until you are ready to fire.
- Make sure the muzzle is pointing in a safe direction. Keep the selector on safe mode until you are ready to shoot.



## 8 SR4 SERIES SCHEMATIC



## SR4 Series Gear Box Schematic



## SR4 SERIES PARTS LIST

NO	DESCRIPTION	NO	DESCRIPTION	NO	DESCRIPTION	NO	DESCRIPTION
SM4-1	High Torque Motor	SM4-26	Receiver Pin	SM4-51	M4 Aluminum Receiver Set(BK)	SM4-86	SR-416 Folding Front Sight Set
SM4-2	Gear Box	SM4-27	Flash Hider	SM4-52	M4 Aluminum Carrying Handle(BK)	SM4-87	SR-416 Gas Rod Set
SM4-3	M16 300 Magazine	SM4-28	Frame	SM4-53	Aluminum Rail System	SM4-88	SR-416 Pistol Grip
SM4-4	Gear Box Complete Set	SM4-29	Outer Barrel	SM4-54	Tactical Fore Grip	SM4-89	SR-416 Laser engraving 300 Rounds Magazine
SM4-5	Gear Set	SM4-30	Selector Switch	SM4-55	Metal Hop up Chamber	SM4-90	SEMI/AUTO Selector Lever
SM4-6	Piston	SM4-31	Spring	SM4-56	Tactical Rear Sight	SM4-91	Tactical Rail Fore Grip
SM4-7	Cylinder Set	SM4-32	Trigger Guide	SM4-57	M16 Fixed Stock	SM4-92	Combat Crane Stock(easily batt installation ,with 2 Bottom Plates)
SM4-8	Cylinder	SM4-33	Gear Box Pin	SM4-58	M16 A3 Handguard	SM4-93	SR MAG(2300 rounds Electrical Drum Magazine)
SM4-9	Cylinder Head	SM4-34	Dust Cover	SM4-63	Rail Cover	SM4-94	M4 SR MAG Adaptor
SM4-10	Air Nozzle	SM4-35	Safety Lever	SM4-64	Tactical Stock	SM4-95	SR93 Tactical Handguard Set
SM4-11	Piston Head	SM4-36	Charging Handle	SM4-65	933/733 Barrel	SM4-96	Compact Fixed Stock
SM4-12	Tappet Plate	SM4-37	Motor Plate	SM4-66	SR4/A3 Barrel Set	SM4-97	Flip Up front sight
SM4-13	Selector Plate	SM4-38	Dummy Bolt	SM4-67	SR4/A3 Barrel	SM4-98	Flip Up Rear Sight
SM4-14	Anti-Reverse Latch	SM4-39	Magazine Catch	SM4-72	M4 Series Grip ( Infixd Screw Nut )	SM4-99	CNC made Anodized surface Fit for AEGs and GAS blowback M4 series
SM4-15	Hop Bucking	SM4-40	Metal Hop up Feeding base	SM4-73	T-91 Flash hider	SM4-100	SR4 70 Rounds Low Cap Magazine
SM4-16	Hop up System	SM4-41	Outer Barrel Set	SM4-75	T-91 Grip ( Infixd Screw Nut ) Magazine	SM4-101	6pcs of SR4 70 Rounds Low Cap Magazines+BB Loader
SM4-17	High Temperature Switch Assembly (Front/Rear)	SM4-42	Motor Gear	SM4-76	T-91 Retractable Stock		
SM4-18	Shim Set	SM4-43	Trigger	SM4-77	T-91 Aluminum Carrying Handle		
SM4-19	Stainless Steel Bushing	SM4-44	Piston Metal Gear	SM4-79	HK Style Tactical Front Sight		
SM4-20	Spring Guide	SM4-45	Gear Box Spring Set	SM4-80	HK Style Tactical Rear Sight		
SM4-21	Handguard	SM4-46	Rear Sight Adjustment button	SM4-81	SR-416 Aluminum Receiver		
SM4-22	Carry Handle	SM4-47	Delta Ring	SM4-82	SR-416 Tactical Rail System		
SM4-23	Retractable Stock	SM4-48	Bolt Catch	SM4-83	SR-416 Aluminum Outer Barrel 10		
SM4-24	Pistol Grip	SM4-49	6 Position Retractable Stock Buffer	SM4-84	SR-416 Aluminum Outer Barrel 14.5		
SM4-25	Inner Barrel	SM4-50	Phantom Flash Hider	SM4-85	SR-416 Aluminum Outer Barrel 16		

You can buy all parts from your local dealer or reseller.